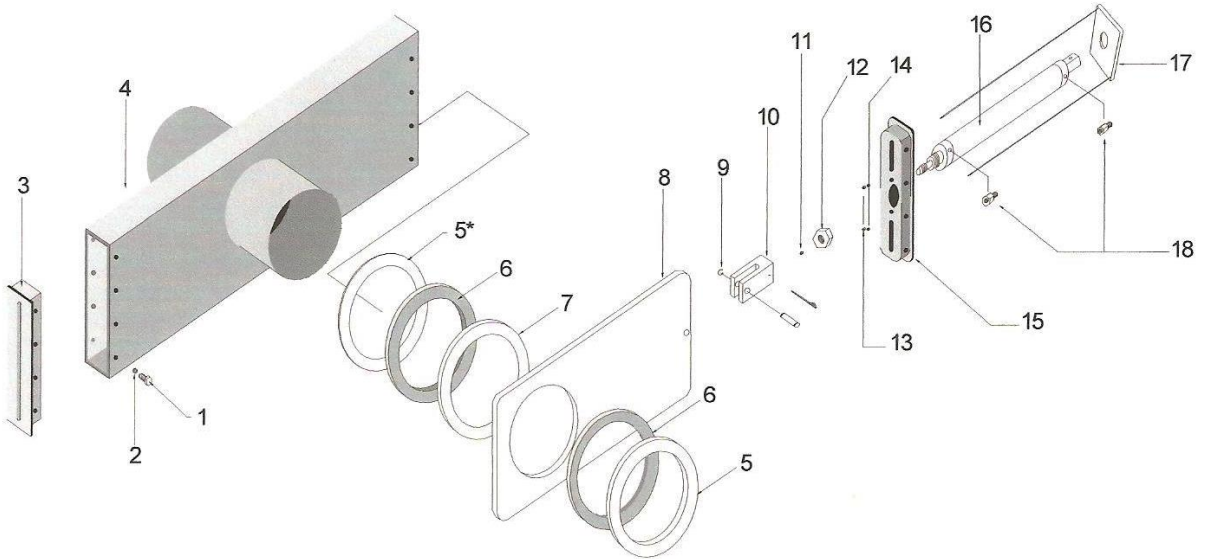


4/6/8/10 INCH SIZES

# ALDRICH TANK SLIDE VALVE



\* SHIM AS NEEDED FOR ITEM 5

ITEM	PART DESCRIPTION	4" VALVE	6" VALVE	8" VALVE	10" VALVE	QTY.
-	COMPLETE VALVE	VT-4	VT-6	VT-8	VT-10	1
1A	BOLT 1/4" X 1/2"	N/A	25C100HC5Z/B	N/A	N/A	16
1B	BOLT 5/16" X 1/2"	3/C50HC5C/5	N/A	3/C50HC5C/5	3/C50HC5C/5	16
2	LOCK WASHER	3/NLOC/Z	25NLOC2/B	3/NLOC/Z	3/NLOC/Z	16
3	BOTTOM PLATE	SV-04-001	SV-06-001	SV-08-001	SV-10-001	1
4	BODY	SV-04-002	SV-06-002	SV-08-002	SV-10-002	1
5	22 GA. METAL SHIM	SV-04-003	SV-06-003	SV-08-003	SV-10-003	-
6	SPACER/SPONGE	SV-04-004	SV-06-004	SV-08-004	SV-10-004	2
7	NYLON SEAL PLATE	SV-04-005	SV-06-005	SV-08-005	SV-10-005	2
8	3/8" UHMW SLIDE	SV-04-006	SV-06-006	SV-08-006	SV-10-006	1
9	E-CLIP	N/A	N/A	W/CLIP	W/CLIP	1
10	CLEVIS ASSEMBLY	M-64	M-64	M-84	M-84	1
11	7/16-20 NUT	43FNH/Z	43FNH/Z	43FNH/Z	43FNH/Z	1
12	3/4-16 NUT	75NFJZ	75NFJZ	75NFJZ	75NFJZ	1
13	1/4-20 NUT	25CNNEZ	25CNNEZ	25CNNEZ	25CNNEZ	2
14	1/4" FLAT WASHER	25NWUSZ/B	25NWUSZ/B	25NWUSZ/B	25NWUSZ/B	2
15	TOP PLATE	SV-04-007	SV-06-007	SV-08-007	SV-10-007	1
16	AIR CYLINDER	1500 DVS-5.0	1500 DVS-7.0	2000 DVS-9.0	2000 DVS-11.0	1
17	CYLINDER BRACKET TOP	SV-04-008	SV-06-008	SV-08-008	SV-10-008	1
18	AIR BRASS FITTING	AQ68P-4-2	AQ68P-4-2	AQ68P-4-4	AQ68P-4-4	2